



25HP

Motor	SVM-132S	SVM-132M	SVM-132L	SVM-132X
Rated voltage U _N	220 / 380	220 / 380	220 / 380	220 / 380
Rated power output P _N	15kw	18.5kw	22kw	30kw
Rated speed N _N	1500rpm			
Rated torque M _N	94.66 Nm	116.7 Nm	138.84 Nm	189.33 Nm
Rated current I _N	50.08/28.9	62.2/35.9	74/42.7	101/58.3
Efficiency	0.86			
Max speed N _{max} Standard bearing	6000rpm			4500rpm
Max current I _{max}	90/52A	109.4/63.1A	129.4/74.1A	176/101A
Weight	105kg	120kg	152kg	178kg
Rated inertia J	650kgcm ²	770kgcm ²	1010kgcm ²	1200kgcm ²
Protection	IP54			
Fan Rated voltage UL Frequency fL	1Ø220V 50HZ/60HZ			

Motor	Rated speed	Rated power in duty type in accordance		Rated torque	Rated current for duty type		Rated power for duty type		Moment of inertia	Weight
	Mrated	M2			Irated (220/380v)				J	W
		S1	S6~60%		S1	S6~60%				
TYPE	rpm	rpm	rpm	Nm	A	A	KW	KW	kgm ²	kg
SVM-132S-10	1000	4000	4000	104.13	37/21.36	50.08/28.9	11	15	0.065	105
SVM-132S-15	1500	6000	6000	94.66	50.08/28.9	62.2/35.9	15	18.5	0.065	105
SVM-132S-20	2000	6000	6000	87.56	62.2/35.9	74/42.7	18.5	22	0.065	105
SVM-132M-10	1000	4000	4000	142	50.08/28.9	62.2/35.9	15	18.5	0.077	120
SVM-132M-15	1500	6000	6000	116.7	62.2/35.9	74/42.7	18.5	22	0.077	120
SVM-132M-20	2000	6000	6000	104.13	74/42.7	101/58.3	22	30	0.077	120
SVM-132L-10	1000	4000	4000	175.1	62.2/35.9	74/42.7	18.5	22	0.101	152
SVM-132L-15	1500	6000	6000	138.8	74/42.7	101/58.3	22	30	0.101	152
SVM-132L-20	2000	6000	6000	142.00	101/58.3	126/72.8	30	37.5	0.101	152
SVM-132X-10	1000	4000	4000	208.26	74/42.7	101/58.3	22	30	0.126	178
SVM-132X-15	1500	4500	4500	189.33	101/58.3	126/72.8	30	37.5	0.126	178
SVM-132X-20	2000	4500	4500	177.50	126.1/72.8	151.4/87.4	37.5	45	0.126	178

SUN CNC 華勝自動化有限公司

<http://www.sun-cnc.com.tw>

email:sn@sun-cnc.com.tw

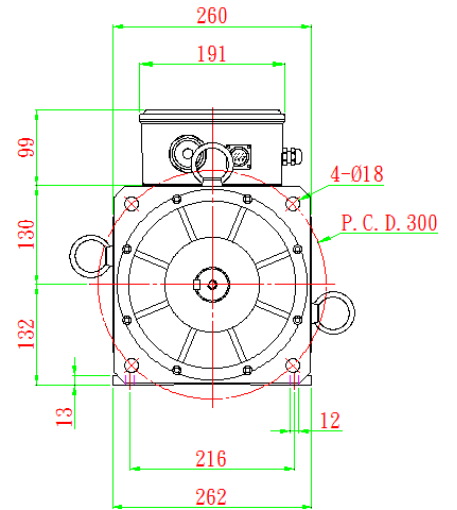
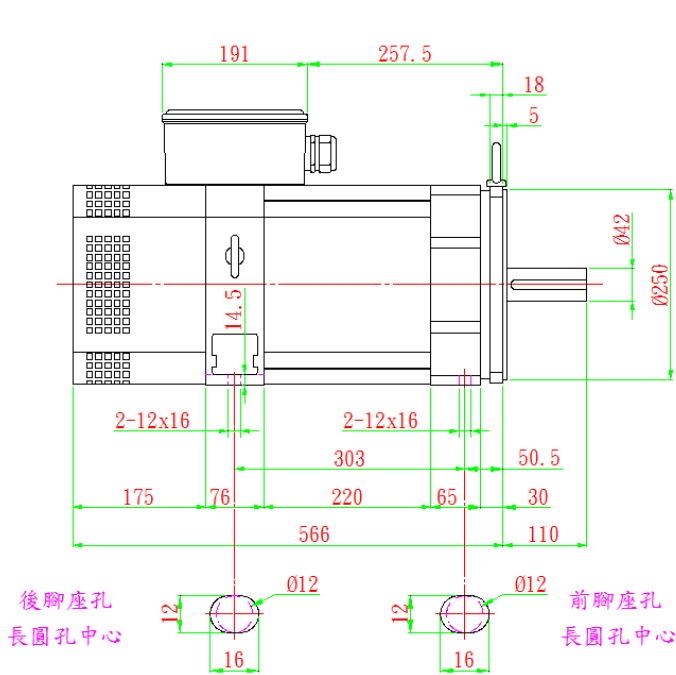


台中縣豐原市社皮路 271 巷 9 弄 55 號

TEL:04-25337731

FAX:04-25349224

外觀尺寸



軸心公差: ± 0.005
 引導公差: $+0$
 -0.04