



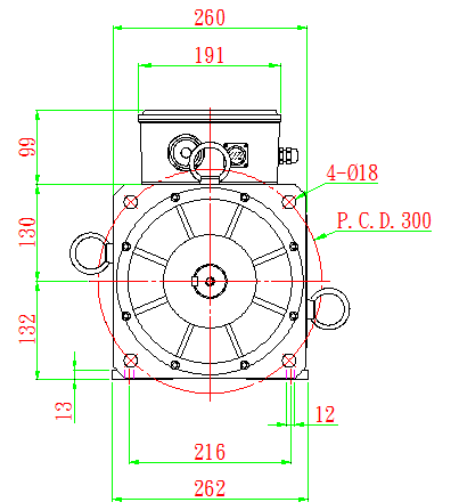
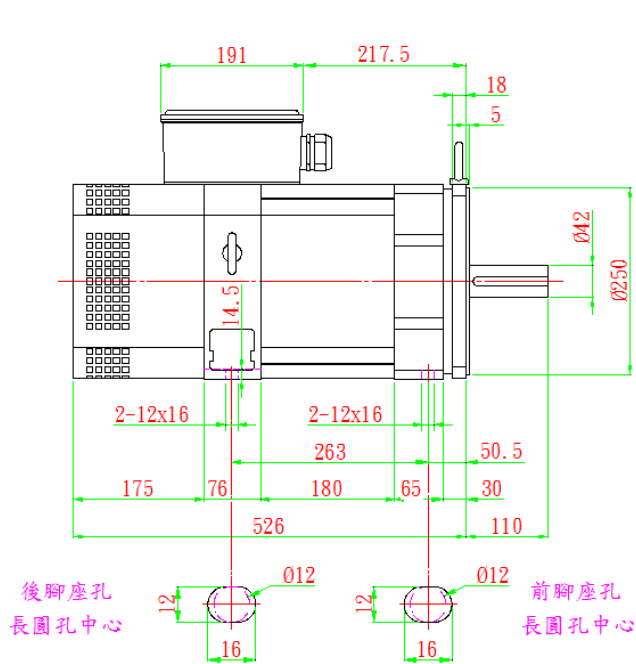
20HP

| Motor | SVM-132S | SVM-132M | SVM-132L | SVM-132X |
|--|----------------------|----------------------|-----------------------|-----------------------|
| Rated voltage U _N | 220 / 380 | 220 / 380 | 220 / 380 | 220 / 380 |
| Rated power output P _N | 15kw | 18.5kw | 22kw | 30kw |
| Rated speed N _N | 1500rpm | | | |
| Rated torque M _N | 94.66 Nm | 116.7 Nm | 138.84 Nm | 189.33 Nm |
| Rated current I _N | 50.08/28.9 | 62.2/35.9 | 74/42.7 | 101/58.3 |
| Efficiency | 0.86 | | | |
| Max speed N _{max} Standard bearing | 6000rpm | | | 4500rpm |
| Max current I _{max} | 90/52A | 109.4/63.1A | 129.4/74.1A | 176/101A |
| Weight | 105kg | 120kg | 152kg | 178kg |
| Rated inertia J | 650kgcm ² | 770kgcm ² | 1010kgcm ² | 1200kgcm ² |
| Protection | IP54 | | | |
| Fan Rated voltage UL Frequency fL | 1Ø220V 50HZ/60HZ | | | |

| Motor | Rated speed | Rated power in duty type in accordance | | Rated torque | Rated current for duty type | | Rated power for duty type | | Moment of inertia | Weight |
|-------------|--------------------|--|--------|--------------|-------------------------------|------------|---------------------------|------|-------------------|--------|
| | M _{rated} | M2 | | | I _{rated} (220/380v) | | | | J | W |
| | rpm | S1 | S6~60% | | S1 | S6~60% | | | | |
| TYPE | rpm | rpm | rpm | Nm | A | A | KW | KW | kgm ² | kg |
| SVM-132S-10 | 1000 | 4000 | 4000 | 104.13 | 37/21.36 | 50.08/28.9 | 11 | 15 | 0.065 | 105 |
| SVM-132S-15 | 1500 | 6000 | 6000 | 94.66 | 50.08/28.9 | 62.2/35.9 | 15 | 18.5 | 0.065 | 105 |
| SVM-132S-20 | 2000 | 6000 | 6000 | 87.56 | 62.2/35.9 | 74/42.7 | 18.5 | 22 | 0.065 | 105 |
| SVM-132M-10 | 1000 | 4000 | 4000 | 142 | 50.08/28.9 | 62.2/35.9 | 15 | 18.5 | 0.077 | 120 |
| SVM-132M-15 | 1500 | 6000 | 6000 | 116.7 | 62.2/35.9 | 74/42.7 | 18.5 | 22 | 0.077 | 120 |
| SVM-132M-20 | 2000 | 6000 | 6000 | 104.13 | 74/42.7 | 101/58.3 | 22 | 30 | 0.077 | 120 |
| SVM-132L-10 | 1000 | 4000 | 4000 | 175.1 | 62.2/35.9 | 74/42.7 | 18.5 | 22 | 0.101 | 152 |
| SVM-132L-15 | 1500 | 6000 | 6000 | 138.8 | 74/42.7 | 101/58.3 | 22 | 30 | 0.101 | 152 |
| SVM-132L-20 | 2000 | 6000 | 6000 | 142.00 | 101/58.3 | 126/72.8 | 30 | 37.5 | 0.101 | 152 |
| SVM-132X-10 | 1000 | 4000 | 4000 | 208.26 | 74/42.7 | 101/58.3 | 22 | 30 | 0.126 | 178 |
| SVM-132X-15 | 1500 | 4500 | 4500 | 189.33 | 101/58.3 | 126/72.8 | 30 | 37.5 | 0.126 | 178 |
| SVM-132X-20 | 2000 | 4500 | 4500 | 177.50 | 126.1/72.8 | 151.4/87.4 | 37.5 | 45 | 0.126 | 178 |



外觀尺寸



軸心公差: ± 0.005
 引導公差: $+0$
 -0.04