



40HP

| Motor                                   | SVM-132S             | SVM-132M             | SVM-132L              | SVM-132X              |
|---|----------------------|----------------------|-----------------------|-----------------------|
| Rated voltage $U_N$                     | 220 / 380            | 220 / 380            | 220 / 380             | 220 / 380             |
| Rated power output $P_N$                | 15kw                 | 18.5kw               | 22kw                  | 30kw                  |
| Rated speed $N_N$                       | 1500rpm              |                      |                       |                       |
| Rated torque $M_N$                      | 94.66 Nm             | 116.7 Nm             | 138.84 Nm             | 189.33 Nm             |
| Rated current $I_N$                     | 50.08/28.9           | 62.2/35.9            | 74/42.7               | 101/58.3              |
| Efficiency                              | 0.86                 |                      |                       |                       |
| Max speed $N_{max}$<br>Standard bearing | 6000rpm              |                      |                       | 4500rpm               |
| Max current $I_{max}$                   | 90/52A               | 109.4/63.1A          | 129.4/74.1A           | 176/101A              |
| Weight                                  | 105kg                | 120kg                | 152kg                 | 178kg                 |
| Rated inertia J                         | 650kgcm <sup>2</sup> | 770kgcm <sup>2</sup> | 1010kgcm <sup>2</sup> | 1200kgcm <sup>2</sup> |
| Protection                              | IP54                 |                      |                       |                       |
| Fan<br>Rated voltage UL<br>Frequency fL | 1Ø220V<br>50HZ/60HZ  |                      |                       |                       |

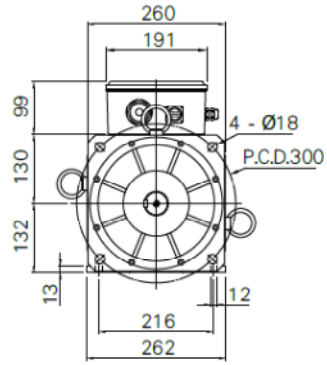
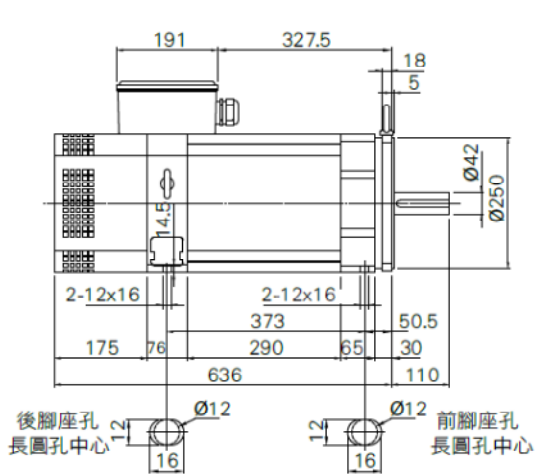
| Motor       | Rated speed        | Rated power in duty type in accordance |        | Rated torque | Rated current for duty type   |            | Rated power for duty type |        | Moment of inertia | Weight |
|-------------|--------------------|--|--------|--------------|-------------------------------|------------|---------------------------|--------|-------------------|--------|
|             | M <sub>rated</sub> | M2                                     |        |              | I <sub>rated</sub> (220/380v) |            |                           |        | J                 | W      |
|             |                    | S1                                     | S6~60% |              | S1                            | S6~60%     | S1                        | S6~60% |                   |        |
| TYPE        | rpm                | rpm                                    | rpm    | Nm           | A                             | A          | KW                        | KW     | kgm <sup>2</sup>  | kg     |
| SVM-132S-10 | 1000               | 4000                                   | 4000   | 104.13       | 37/21.36                      | 50.08/28.9 | 11                        | 15     | 0.065             | 105    |
| SVM-132S-15 | 1500               | 6000                                   | 6000   | 94.66        | 50.08/28.9                    | 62.2/35.9  | 15                        | 18.5   | 0.065             | 105    |
| SVM-132S-20 | 2000               | 6000                                   | 6000   | 87.56        | 62.2/35.9                     | 74/42.7    | 18.5                      | 22     | 0.065             | 105    |
| SVM-132M-10 | 1000               | 4000                                   | 4000   | 142          | 50.08/28.9                    | 62.2/35.9  | 15                        | 18.5   | 0.077             | 120    |
| SVM-132M-15 | 1500               | 6000                                   | 6000   | 116.7        | 62.2/35.9                     | 74/42.7    | 18.5                      | 22     | 0.077             | 120    |
| SVM-132M-20 | 2000               | 6000                                   | 6000   | 104.13       | 74/42.7                       | 101/58.3   | 22                        | 30     | 0.077             | 120    |
| SVM-132L-10 | 1000               | 4000                                   | 4000   | 175.1        | 62.2/35.9                     | 74/42.7    | 18.5                      | 22     | 0.101             | 152    |
| SVM-132L-15 | 1500               | 6000                                   | 6000   | 138.8        | 74/42.7                       | 101/58.3   | 22                        | 30     | 0.101             | 152    |
| SVM-132L-20 | 2000               | 6000                                   | 6000   | 142.00       | 101/58.3                      | 126/72.8   | 30                        | 37.5   | 0.101             | 152    |
| SVM-132X-10 | 1000               | 4000                                   | 4000   | 208.26       | 74/42.7                       | 101/58.3   | 22                        | 30     | 0.126             | 178    |
| SVM-132X-15 | 1500               | 4500                                   | 4500   | 189.33       | 101/58.3                      | 126/72.8   | 30                        | 37.5   | 0.126             | 178    |
| SVM-132X-20 | 2000               | 4500                                   | 4500   | 177.50       | 126.1/72.8                    | 151.4/87.4 | 37.5                      | 45     | 0.126             | 178    |

SUN CNC 華勝自動化有限公司  
<http://www.sun-cnc.com.tw>  
 email:sn@sun-cnc.com.tw



台中縣豐原市社皮路 271 巷 9 弄 55 號  
 TEL:04-25337731  
 FAX:04-25349224

外觀尺寸



軸心公差:  $\pm 0.005$   
 引導公差:  $+0$   
 $-0.04$

SVM-132L

