



11KW

SGD7S-590A30A



一般

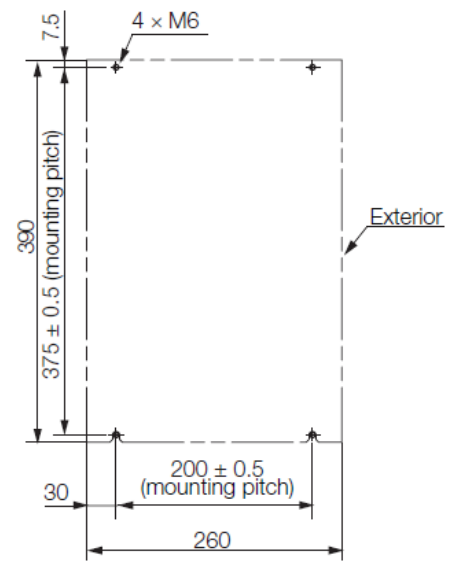
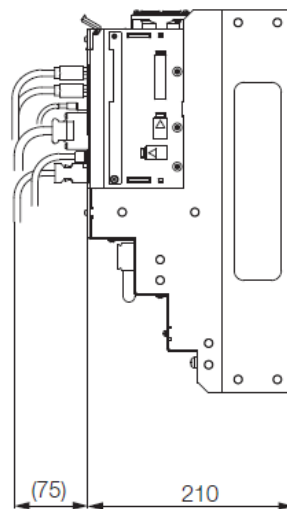
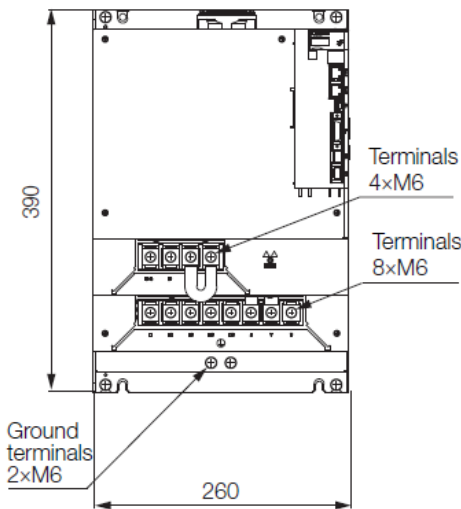
SGM7G-1AA7A2S

煞車

SGM7G-1AA7A2E



### ➤ 驅動器尺寸



Mounting Hole Diagram

Approx. Mass: 15.5 kg

Unit: mm

Model SGD7S-		470A	550A	590A	780A
Maximum Applicable Motor Capacity [kW]		6.0	7.5	11	15
Continuous Output Current [Arms]		46.9	54.7	58.6	78.0
Instantaneous Maximum Output Current [Arms]		110	130	140	170
Main Circuit	Power Supply	200 VAC to 240 VAC, -15% to +10%, 50 Hz/60 Hz			
	Input Current [Arms] <sup>*1</sup>	29	37	54	73
Control Power Supply		200 VAC to 240 VAC, -15% to +10%, 50 Hz/60 Hz			
Power Supply Capacity [kVA] <sup>*1</sup>		10.7	14.6	21.7	29.6
Power Loss <sup>*1</sup>	Main Circuit Power Loss [W]	279.4	357.8	431.7	599.0
	Control Circuit Power Loss [W]	33	33	48	48
	External Regenerative Resistor Unit Power Loss [W]	180 <sup>*2</sup>	180 <sup>*3</sup>	350 <sup>*3</sup>	350 <sup>*3</sup>
	Total Power Loss [W]	312.4	390.8	479.7	647.0
External Regenerative Resistor Unit	Resistance [Ω]	6.25 <sup>*2</sup>	3.13 <sup>*3</sup>	3.13 <sup>*3</sup>	3.13 <sup>*3</sup>
		Capacity [W]	880 <sup>*2</sup>	1760 <sup>*3</sup>	1760 <sup>*3</sup>
	Minimum Allowable External Resistance [Ω]	5.8	2.9	2.9	2.9
Overvoltage Category		III			



SUN CNC華勝自動化有限公司 台中市豐原區社皮里豐原大道一段428巷22弄90號

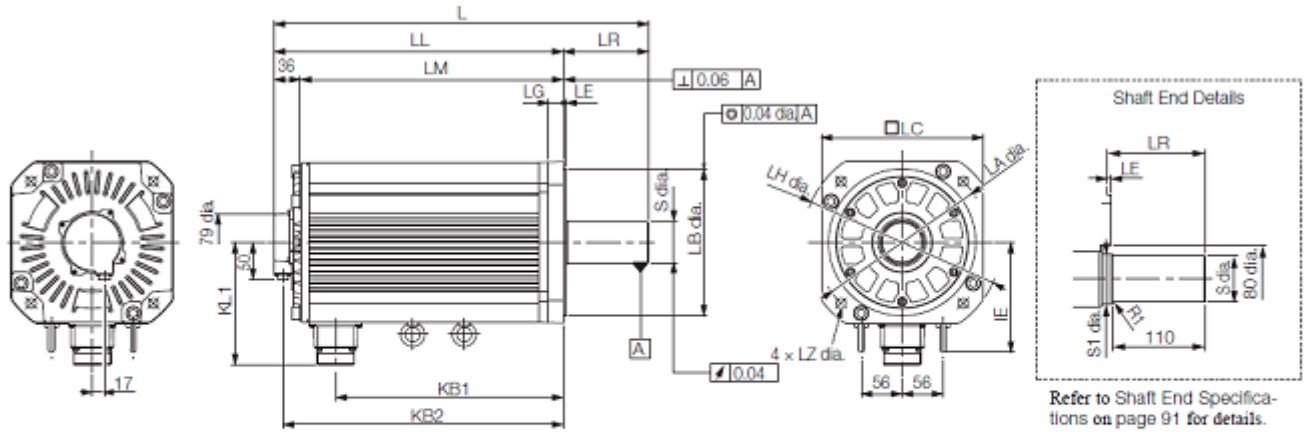
http://www.sun-cnc.com.tw

E-mail:sn@sun-cnc.com.tw

TEL:04-25337731

FAX:04-25349224

◆ SGM7G-1A and -1E

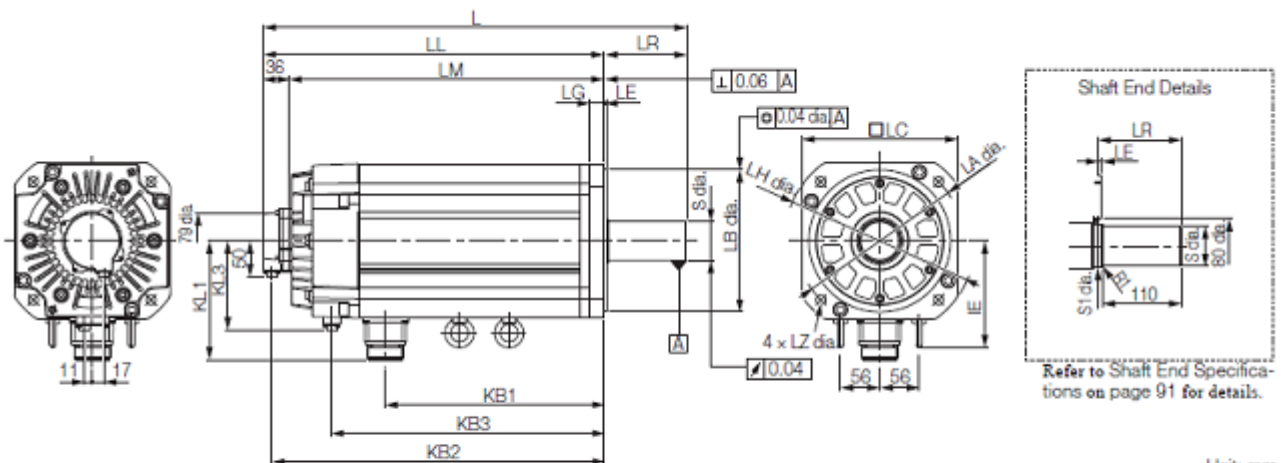


Refer to Shaft End Specifications on page 91 for details.

Unit: mm

Model SGM7G-	L	LL	LM	LR	KB1	KB2	IE	KL1	Flange Dimensions						Shaft End Dimensions		Approx. Mass [kg]	
									LA	LB	LC	LE	LG	LH	LZ	S		S1
1AA2A2S	447	331	295	116	247	319	150	168	235	200 <sup>0</sup> <sub>-0.046</sub>	220	4	20	270	13.5	42 <sup>0</sup> <sub>-0.016</sub>	50	57

◆ SGM7G-1A, 1E



Refer to Shaft End Specifications on page 91 for details.

Unit: mm

Model SGM7G-	L	LL	LM	LR	KB1	KB2	KB3	IE	KL1	KL3	Flange Dimensions						Shaft End Dimensions		Approx. Mass [kg]	
											LA	LB	LC	LE	LG	LH	LZ	S		S1
1AA2A2E	498	382	346	116	247	370	315	150	168	125	235	200 <sup>0</sup> <sub>-0.046</sub>	220	4	20	270	13.5	42 <sup>0</sup> <sub>-0.016</sub>	50	65



SUN CNC華勝自動化有限公司 台中市豐原區社皮里豐原大道一段428巷22弄90號

http://www.sun-cnc.com.tw

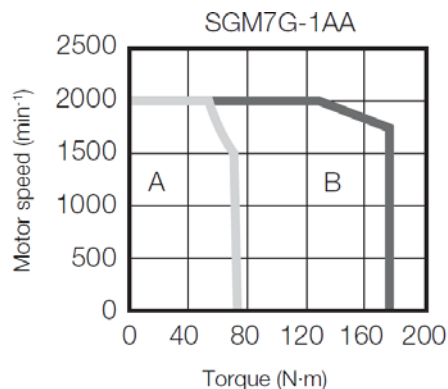
E-mail:sn@sun-cnc.com.tw

TEL:04-25337731

FAX:04-25349224

Voltage		200 V						
Model SGM7G-		30A	30A*6	44A	55A	75A	1AA	1EA
Rated Output*1	kW	2.9	2.4	4.4	5.5	7.5	11	15
Rated Torque*1, *2	N•m	18.6	15.1	28.4	35.0	48.0	70.0	95.4
Instantaneous Maximum Torque*1	N•m	54.0	45.1	71.6	102	119	175	224
Rated Current*1	Arms	23.8	19.6	32.8	37.2	54.7	58.6	78.0
Instantaneous Maximum Current*1	Arms	70	56	84	110	130	140	170
Rated Motor Speed*1	min <sup>-1</sup>	1500	1500	1500	1500	1500	1500	1500
Maximum Motor Speed*1	min <sup>-1</sup>	3000	3000	3000	3000	3000	2000	2000
Torque Constant	N•m/Arms	0.848	0.848	0.934	1.00	0.957	1.38	1.44
Motor Moment of Inertia	×10 <sup>-4</sup> kg•m <sup>2</sup>	46.0 (53.9)	46.0 (53.9)	67.5 (75.4)	89.0 (96.9)	125 (133)	242 (261)	303 (341)
Rated Power Rate*1	kW/s	75.2 (64.2)	49.5 (42.2)	119 (107)	138 (126)	184 (173)	202 (188)	300 (267)
Rated Angular Acceleration Rate*1	rad/s <sup>2</sup>	4040 (3450)	3280 (2800)	4210 (3770)	3930 (3610)	3840 (3610)	2890 (2680)	3150 (2800)
Heat Sink Size	mm	550 × 550 × 30 (steel)					650 × 650 × 35 (steel)	
Protective Structure*3		Totally enclosed, self-cooled, IP67						

### T-N 曲線



Shaft End Details	Servo Motor Model SGM7G-											
	03	05	09	13	20	30	44	55	75	1A	1E	
Code: 2 (Straight without Key)												
	LR	40	40	58	58	58	79	79	113	113	116	116
	Q	30	30	40	40	40	76	76	110	110	110	110
	S	16 <sup>0</sup> <sub>-0.011</sub>	16 <sup>0</sup> <sub>-0.011</sub>	24 <sup>0</sup> <sub>-0.013</sub>	24 <sup>0</sup> <sub>-0.013</sub>	24 <sup>0</sup> <sub>-0.013</sub>	35 <sup>+0.01</sup> <sub>0</sub>	35 <sup>+0.01</sup> <sub>0</sub>	42 <sup>0</sup> <sub>-0.016</sub>	42 <sup>0</sup> <sub>-0.016</sub>	42 <sup>0</sup> <sub>-0.016</sub>	55 <sup>+0.020</sup> <sub>-0.011</sub>
Code: 6 or K (Straight with Key and Tap)												
	LR	40	40	58	58	58	79	79	113	113	116	116
	Q	30	30	40	40	40	76	76	110	110	110	110
	QK	20	20	25	25	25	60	60	90	90	90	90
	S (Code 6)	16 <sup>0</sup> <sub>-0.011</sub>	16 <sup>0</sup> <sub>-0.011</sub>	24 <sup>0</sup> <sub>-0.013</sub>	24 <sup>0</sup> <sub>-0.013</sub>	24 <sup>0</sup> <sub>-0.013</sub>	35 <sup>+0.01</sup> <sub>0</sub>	35 <sup>+0.01</sup> <sub>0</sub>	42 <sup>0</sup> <sub>-0.016</sub>	42 <sup>0</sup> <sub>-0.016</sub>	42 <sup>0</sup> <sub>-0.016</sub>	55 <sup>+0.020</sup> <sub>-0.011</sub>
	S (Code K)	14 <sup>0</sup> <sub>-0.011</sub>	N/A	19 <sup>0</sup> <sub>-0.013</sub>	22 <sup>0</sup> <sub>-0.013</sub>	N/A	N/A	N/A	N/A	N/A	N/A	N/A
	W	5	5	8	8	8	10	10	12	12	12	16
	T	5	5	7	7	7	8	8	8	8	8	10
U	3	3	4	4	4	5	5	5	5	5	6	
P	M5 screw, Depth: 12					M12 screw, Depth: 25		M16 screw, Depth: 32		M20 screw, Depth: 40		